

## Gas Information Sheet No. 25

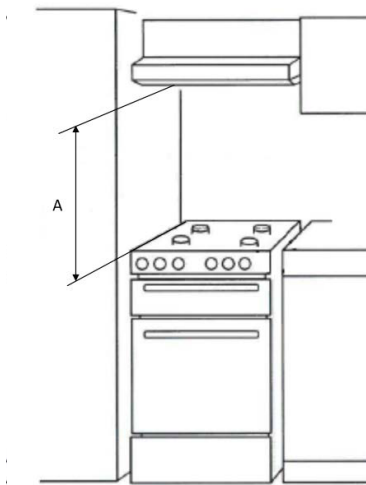
# Domestic gas cooking appliance clearances

This information sheet explains the clearance distances required between domestic gas cookers and combustible surfaces.

Australian and New Zealand Standard AS/NZS 5601.1: 2013 *Gas installations* explains that the required **clearance distance** between a gas cooking appliance and a combustible surface shall be **in accordance with the cooking appliance manufacturer's instruction**.

Where clearances are not specified by the manufacturer, then clearance distances shall be as described in AS/NZS 5601: 2013. See below.

### Requirement 1 – Overhead clearances for range hoods and exhaust fans



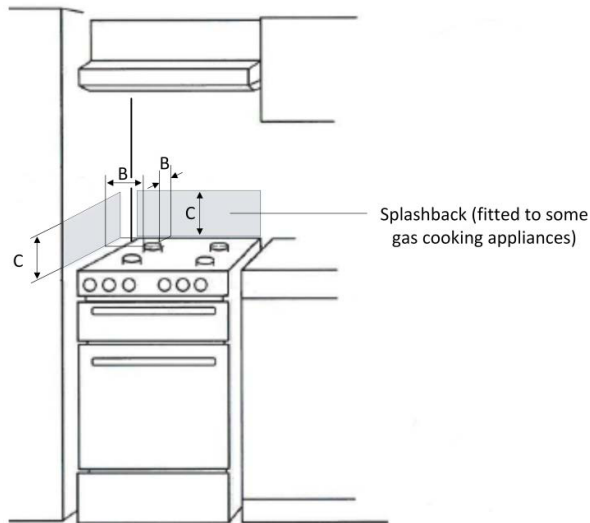
Reproduced with permission from SAI Global Ltd under Licence 1503-c095

#### Distance – A

From	To	Minimum distance – A
Highest part of the highest burner.	Base of the <b>range hood</b> .	600 mm
Highest part of the highest burner.	Base of the <b>exhaust fan</b> .	750 mm
For any other downward facing <b>combustible surface</b> less than 600 mm above the highest part of the highest burner of the appliance the whole of that surface shall be protected for the full width and depth of the cooking surface as described in AS/NZS 5601.1:2013 Appendix C, Table C1.		
The absolute minimum clearance height distance for any surface above the highest part of the highest burner is 450 mm.		
The clearance above the burner of a <b>high level griller</b> to a combustible surface shall be at least 600 mm for a range hood and at least 750 mm for an exhaust fan unless the appliance has been certified for a lesser clearance.		
The clearance between an overhead surface and the <b>oven flue outlet</b> of an elevated gas cooking appliance shall not be less than 200 mm.		

## Gas Information Sheet No. 25

### Requirement 2 – Side and height of side clearances



Reproduced with permission from SAI Global Ltd under Licence 1503-c095

#### Distance – B

From	To	Minimum distance – B
Edge of the nearest burner.	Any <b>vertical combustible surface</b> .	200 mm

Where the distance **B** cannot be achieved the **combustible surfaces**, adjacent to the cooker (see the shaded areas in the figure above), shall be protected as described in AS/NZS 5601.1:2013 Appendix C, Table C1 to a height **C**. (Refer to the table below for an explanation of height C).

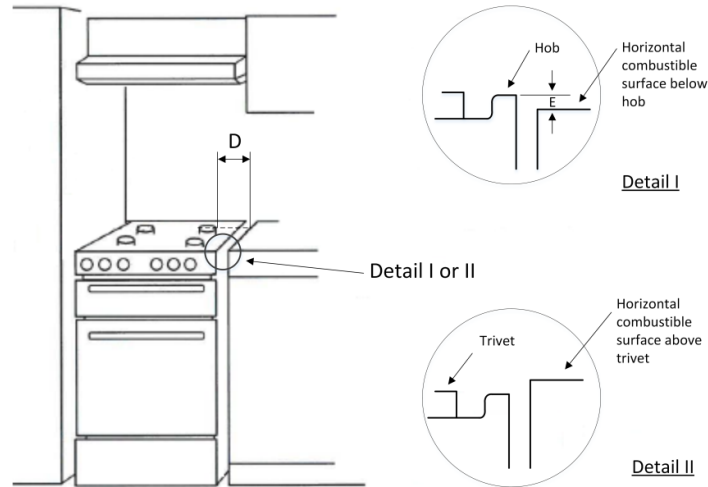
#### Distance – C

From	To	Minimum distance – C
Top of the edge of the nearest burner.	Height of protection above the burner of any <b>vertical combustible surface</b> .	150 mm

If the gas cooking appliance is fitted with a splash back the protection of the rear wall is not required so long as the splash back achieves the same protection for any combustible surface less than 200 mm from the edge of the nearest burner to a height not less than 150 mm above the top of the edge of the nearest burner.

## Gas Information Sheet No. 25

### Requirement 3 – Freestanding and elevated gas cooking appliance clearances



Reproduced with permission from SAI Global Ltd under Licence 1503-c095

#### Distance – D

From	To	Minimum distance – D
Edge of nearest burner closest to the combustable surface	<b>Combustible surface</b> (horizontal distance)	200 mm

#### Distance – E

Where the distance D cannot be achieved then the following applies.

From	To	Minimum distance – E
Top of hob	Top of horizontal <b>combustible surface</b> below the hob (vertical distance)	Horizontal combustable surface 10 mm or more below the <b>hob</b> – no protection for the vertical surface required. A clearance of less than 10 mm from the hob down to the horizontal combustable surface is not permitted.
Top of trivet	Top of horizontal <b>combustible surface</b> above the trivet (vertical distance)	Horizontal combustable surface above the <b>trivet</b> (protection of the vertical surface is required by distances B and C).

## Gas Information Sheet No. 25

### Gas appliances designed for use without a cooking vessel

Barbecues fall into the category of gas appliances designed for use without a cooking vessel and are expected to comply with the requirements of domestic cookers. When used in residential premises they shall be installed such that measured horizontally, a vertical combustible surface less than 200 mm from the cooking surface area is protected for its full width to a height of 150 mm as described in AS/NZS 5601.1:2013 Appendix C, Table C1.

Minimum clearance from a cooking surface:

- vertically to an overhead grease filter is 1200 mm
- vertically to a combustible surface is 1200 mm
- vertically to a non-combustible surface is 600 mm
- horizontally to a vertical combustible surface is 200 mm.

**Note:** Any combustible surfaces less than 1200 mm but not less than 600 mm from the cooking surface may be protected in accordance with AS/NZS 5601.1:2013 Clause 6.10.1.2.

### Combustible surface protection

Derived from AS/NZS 5601.1:2013 Appendix C, Table C1 the following table identifies different types of facing material allowed to protect combustible surfaces.

<i>Facing material type</i>	<i>Facing material thickness</i>	<i>Backing material and thickness</i>
Ceramic tiles	Not less than 5 mm	Gypsum based wall board 10 mm or greater in thickness <b>or</b> Fibre cement board 6 mm or greater in thickness.
Toughened safety glass	Not less than 5 mm	Gypsum based wall board 10 mm or greater in thickness <b>or</b> Fibre cement board 6 mm or greater in thickness.
Sheet metal	Not less than 0.4 mm	Fibre cement board 12 mm or greater in thickness <b>or</b> A combination of fibre cement board (min. 6 mm) over 10 mm of gypsum based wall board.
Any other (material) system	Where any other material is used as a feature wall you must ensure that the surface temperature of any nearby combustible surface will not exceed 65 °C above ambient.	

### Further information

For further information please contact the Gas Safety Technical Information Line on 1800 652 563.